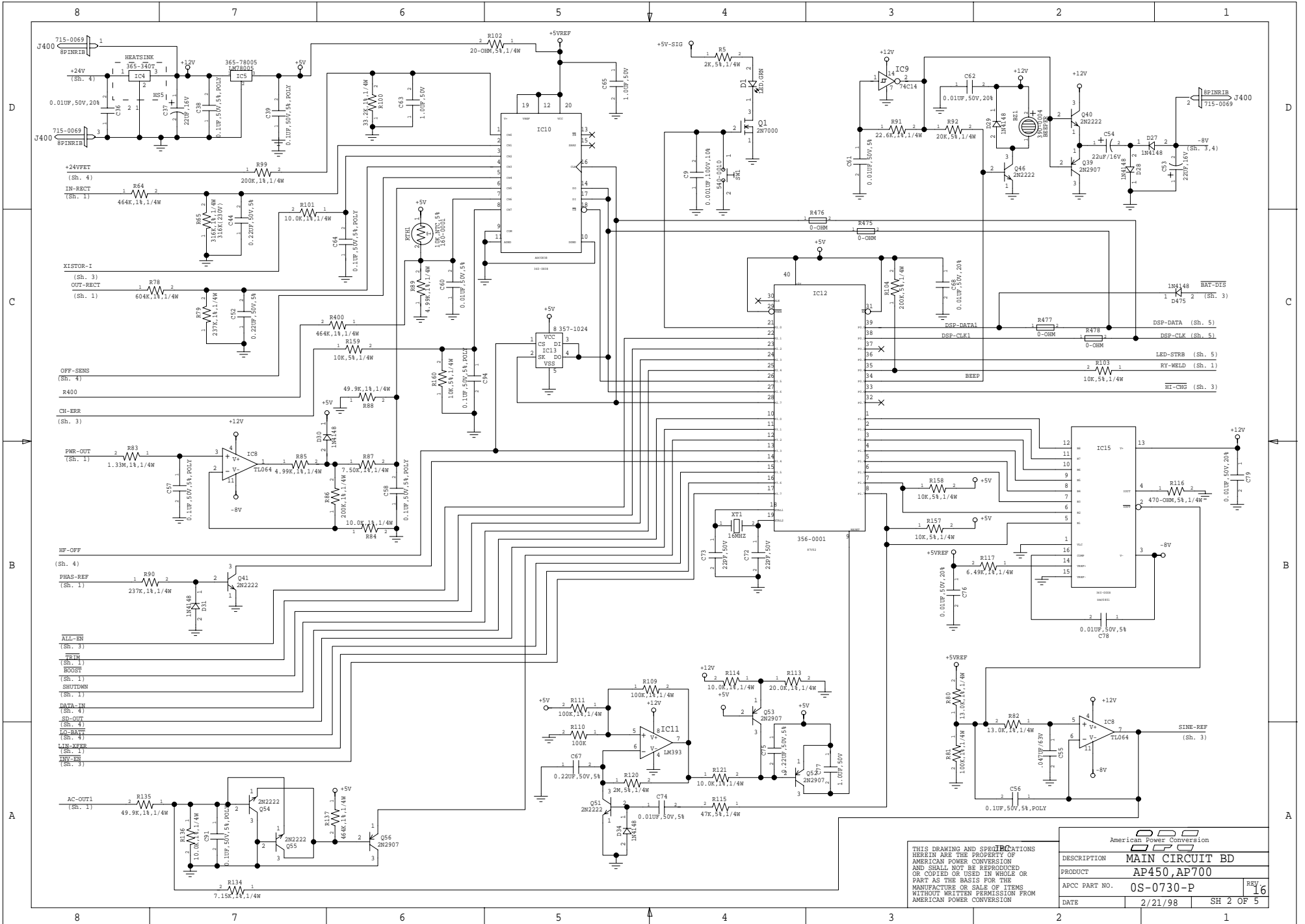


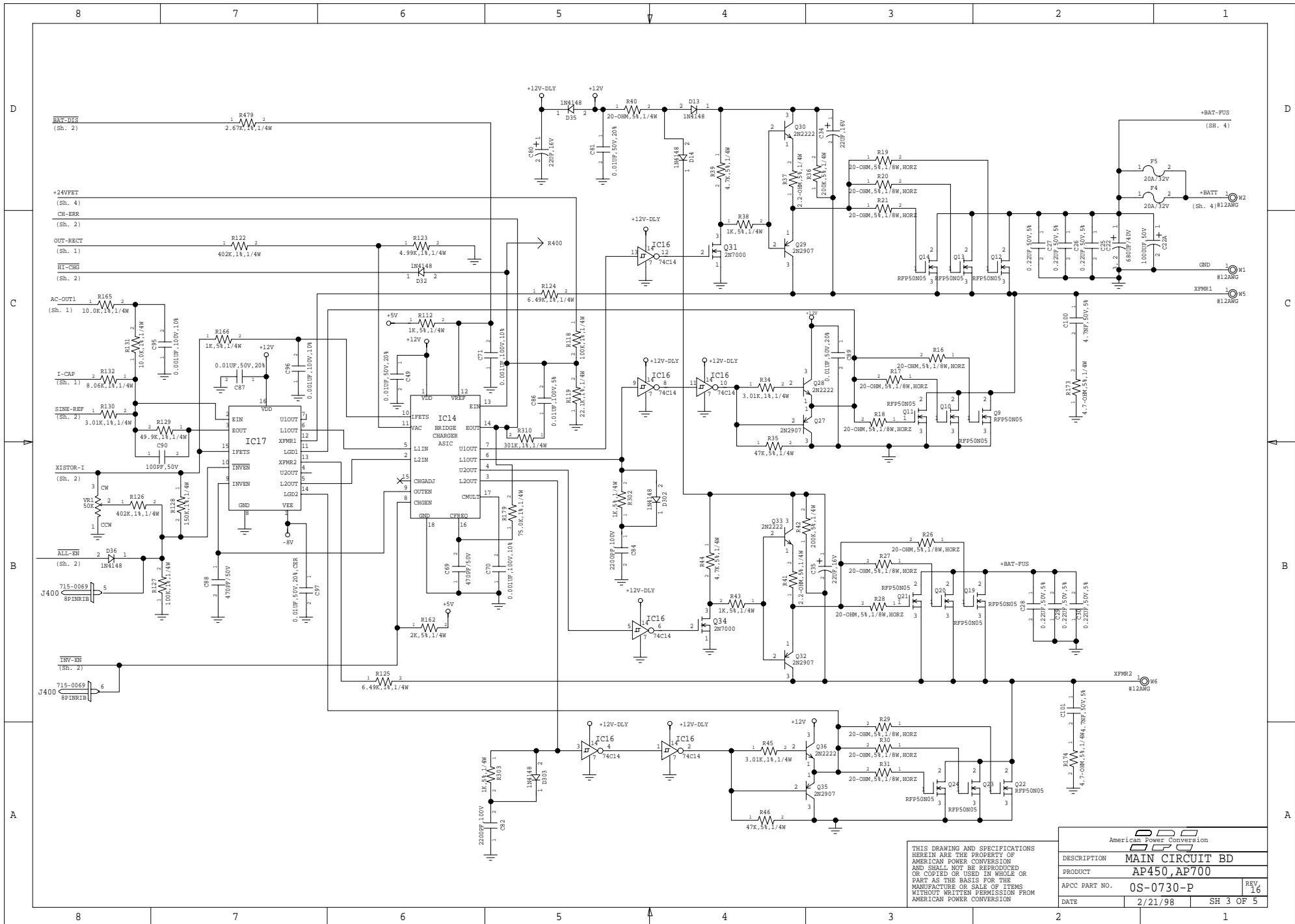
SCH. REV.	PCB REV.	ECO#	PAGE (ZONE)	DESCRIPTION	DATE	APPRVL.
J10	J10			DELETE C39	4/20/95	
REVISION STATUS						
PCB DESIGNER	JML	DATE	10/21/93	DESCRIPTION		
ENGINEER	CMH	DATE		MAIN CIRCUIT BD		
CHECKED		DATE		PRODUCT		
DWG FILE:				APCC PART NO.	OS-0730-P	REV. 16
				DATE:	2/9/98	SH 1 OF 5

THIS DRAWING AND SPECIFICATIONS HEREIN ARE THE PROPERTY OF AMERICAN POWER CONVERSION AND SHALL NOT BE REPRODUCED OR COPIED OR USED IN WHOLE OR PART AS THE BASIS FOR THE MANUFACTURE OR SALE OF ITEMS WITHOUT WRITTEN PERMISSION FROM AMERICAN POWER CONVERSION



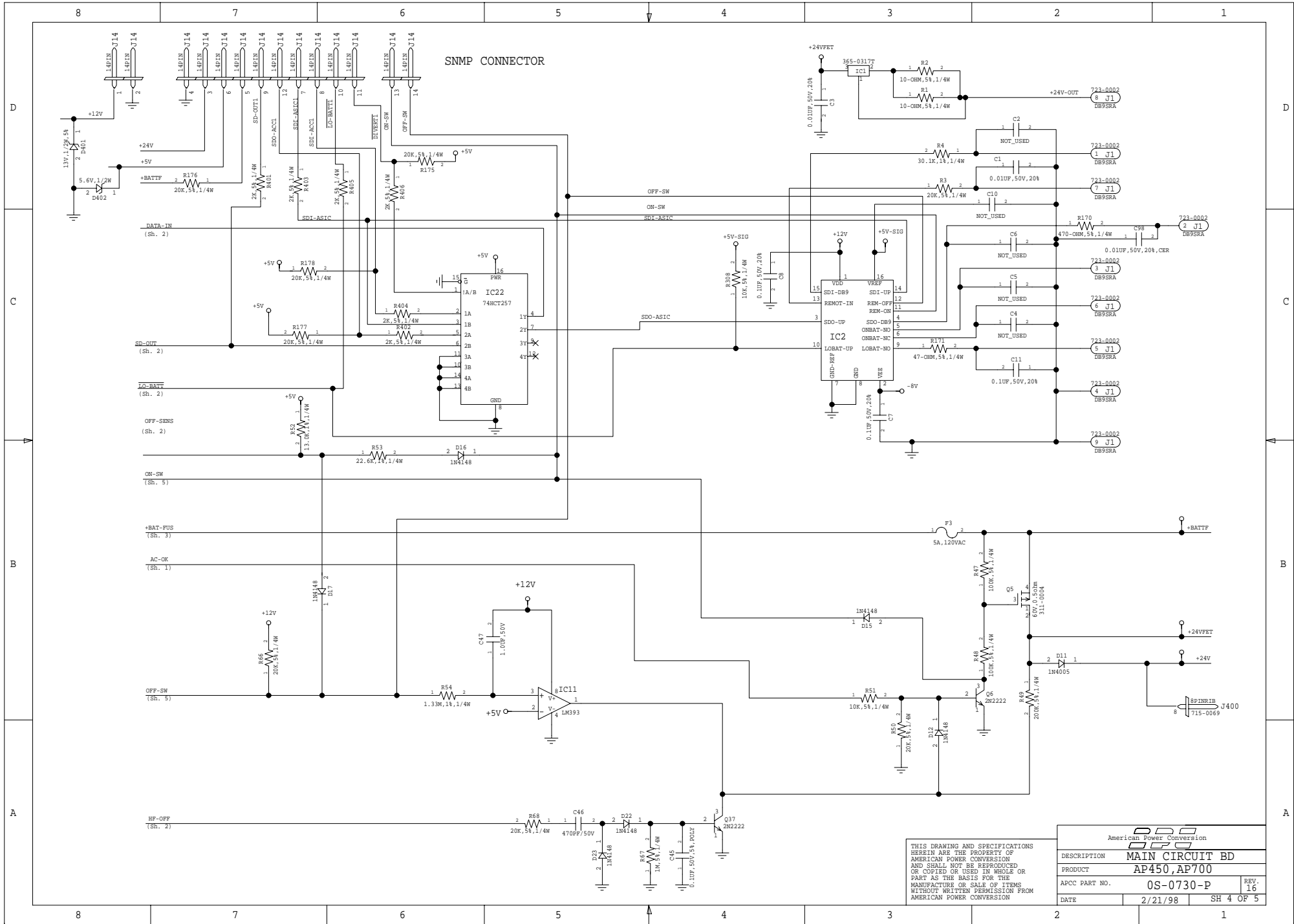
THIS DRAWING AND SPECIFICATIONS
HEREIN ARE THE PROPERTY OF
AMERICAN POWER CONVERSION
AND SHALL NOT BE REPRODUCED
OR COPIED OR USED IN WHOLE OR
PART AS THE BASIS FOR THE
MANUFACTURE OR SALE OF ITEMS
WITHOUT WRITTEN PERMISSION FROM
AMERICAN POWER CONVERSION

American Power Conversion	
DESCRIPTION	MAIN CIRCUIT BD
PRODUCT	AP450, AP700
APCC PART NO.	0S-0730-P
DATE	2/21/98
	REV 16 SH 2 OF 5



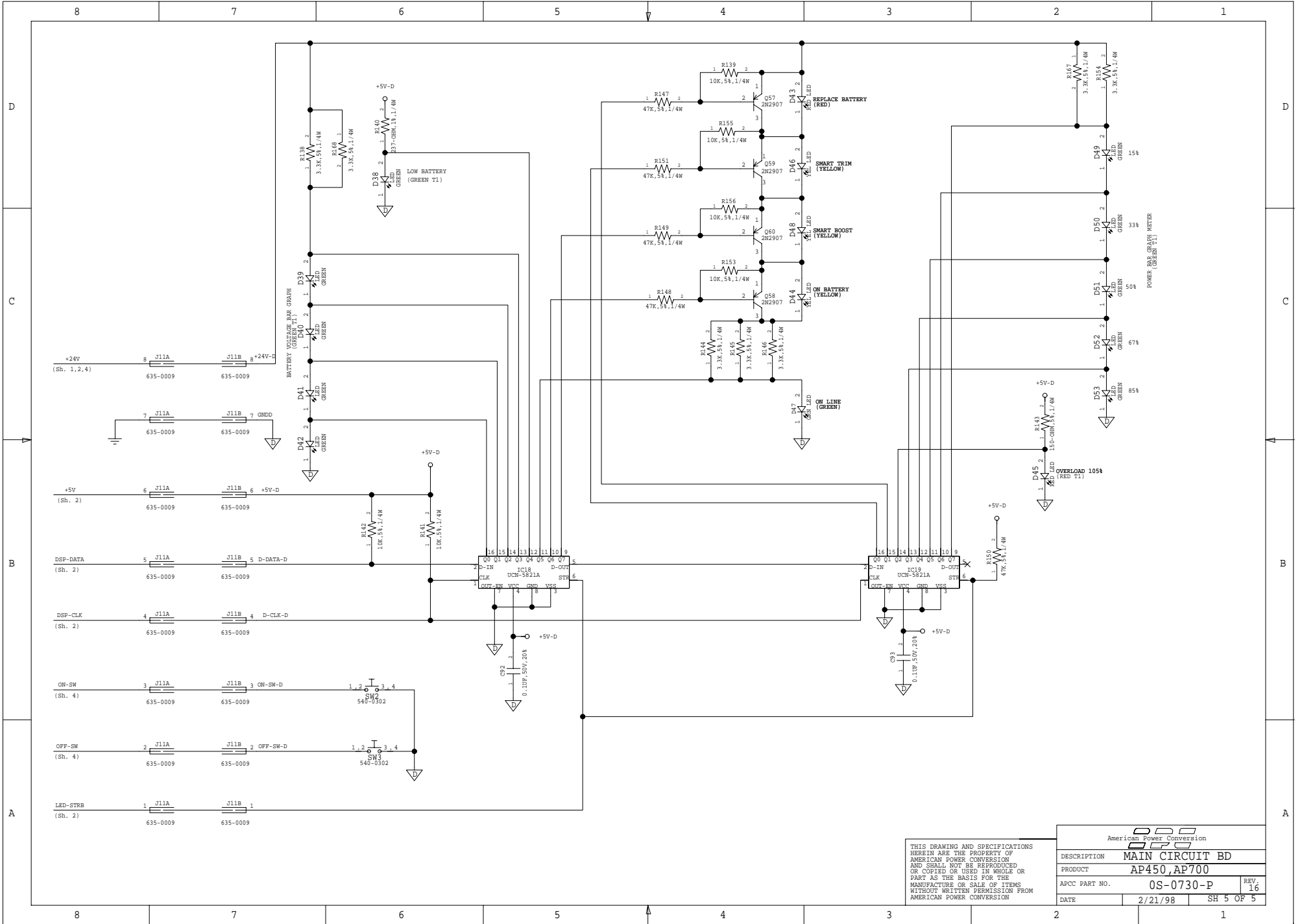
THIS DRAWING AND SPECIFICATIONS
HEREIN ARE THE PROPERTY OF
AMERICAN POWER CONVERSION
AND SHALL NOT BE REPRODUCED
OR COPIED OR USED IN WHOLE OR
PART AS THE BASIS FOR THE
MANUFACTURE OR SALE OF ITEMS
WITHOUT WRITTEN PERMISSION FROM
AMERICAN POWER CONVERSION

American Power Conversion			
DESCRIPTION	MAIN CIRCUIT BD		
PRODUCT	AP450, AP700		
APC PART NO.	0S-0730-P	REV.	16
DATE	2/21/98	SH	3 OF 5



THIS DRAWING AND SPECIFICATIONS
HEREIN ARE THE PROPERTY OF
AMERICAN POWER CONVERSION
AND SHALL NOT BE REPRODUCED
OR COPIED OR USED IN WHOLE OR
PART AS THE BASIS FOR THE
MANUFACTURE OR SALE OF ITEMS
WITHOUT WRITTEN PERMISSION FROM
AMERICAN POWER CONVERSION

American Power Conversion APC	
DESCRIPTION	MAIN CIRCUIT BD
PRODUCT	AP450, AP700
APCC PART NO.	OS-0730-P
DATE	2/21/98
REV.	16
	SH 4 OF 5



THIS DRAWING AND SPECIFICATIONS
HEREIN ARE THE PROPERTY OF
AMERICAN POWER CONVERSION
AND SHALL NOT BE REPRODUCED
OR COPIED OR USED IN WHOLE OR
PART AS THE BASIS FOR THE
MANUFACTURE OR SALE OF ITEMS
WITHOUT WRITTEN PERMISSION FROM
AMERICAN POWER CONVERSION

DESCRIPTION MAIN CIRCUIT BD	
PRODUCT AP450, AP700	
APCC PART NO.	OS-0730-P
DATE	2/21/98
REV.	16
SH 5 OF 5	