



SUBARU

FORESTER

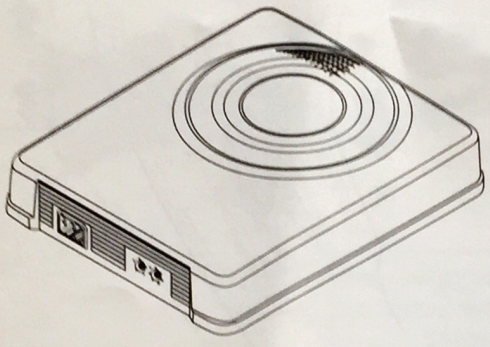
INSTALLATION INSTRUCTIONS

PART NUMBER: H630SSA300 (For 1DIN Audio)~06MY
H630SSA400 (For 2DIN Audio) 07MY~

DESCRIPTION: SUB WOOFER

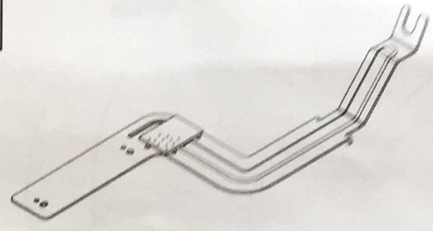
A

KIT CONTENTS:



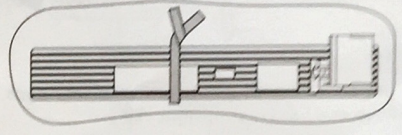
1X

B



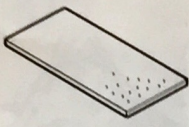
1X

C



1X

D



1X

E



2X

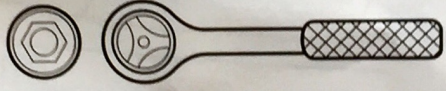
F



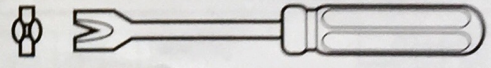
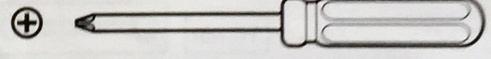
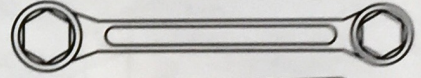
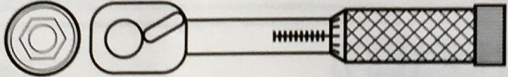
2X

TOOLS REQUIRED:

10mm & 14mm



14mm



Meaning of Characters:

- : Remove
- : Install
- : Disconnect
- : Connect
- : Location of Clip or Screw

- T : Tightening Torque
- : Loosen
- : Discard
- : Reuse

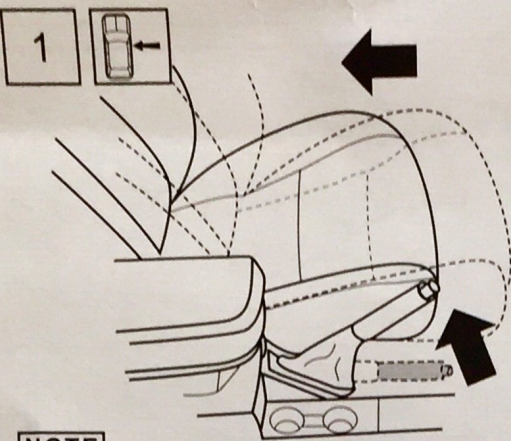
PART NUMBER
H630SSA300
H630SSA400

ISSUE
00

DATE
06/01/23

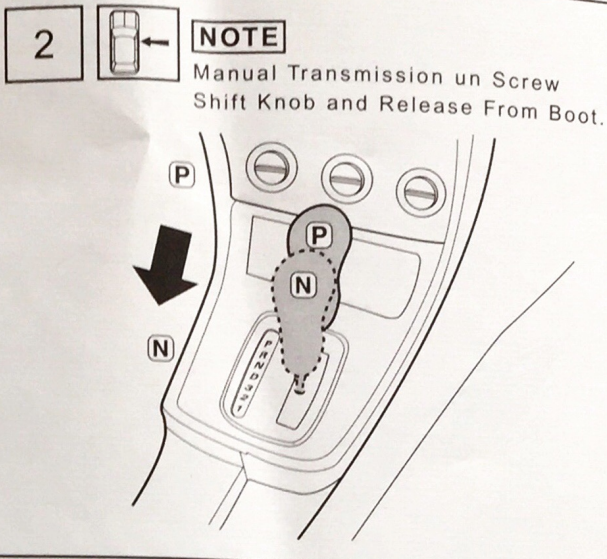
SUBARU OF AMERICA

PAGE
1/10



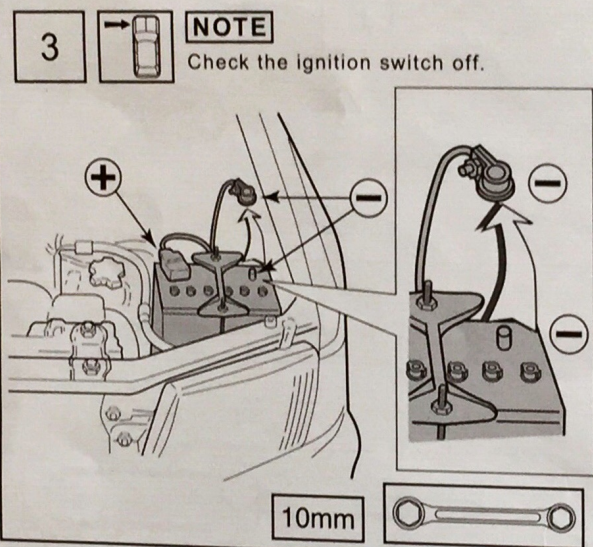
NOTE

Move the driver's seat position all the way back, then move the backrest upright (90°).



NOTE

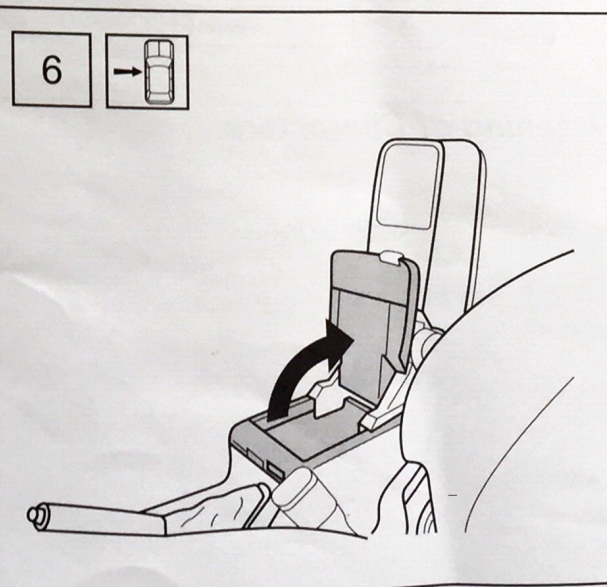
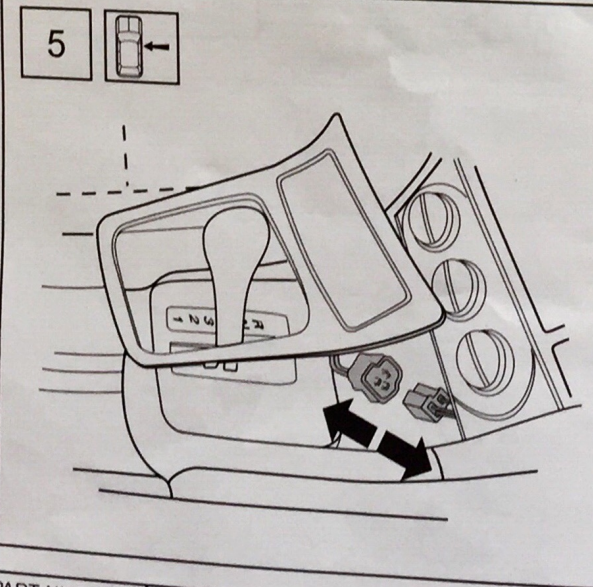
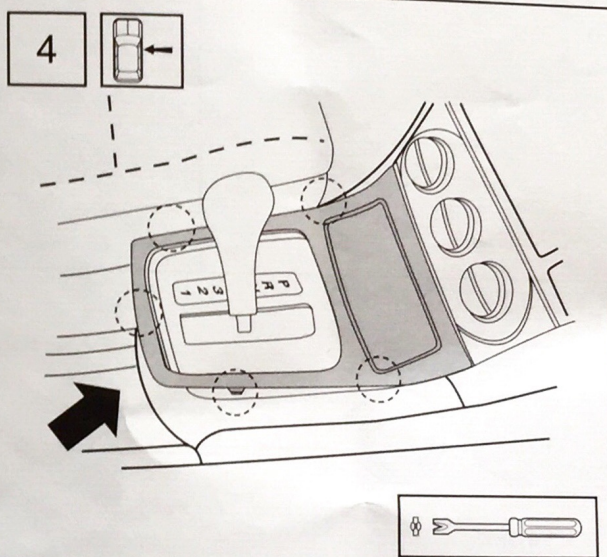
Manual Transmission un Screw Shift Knob and Release From Boot.

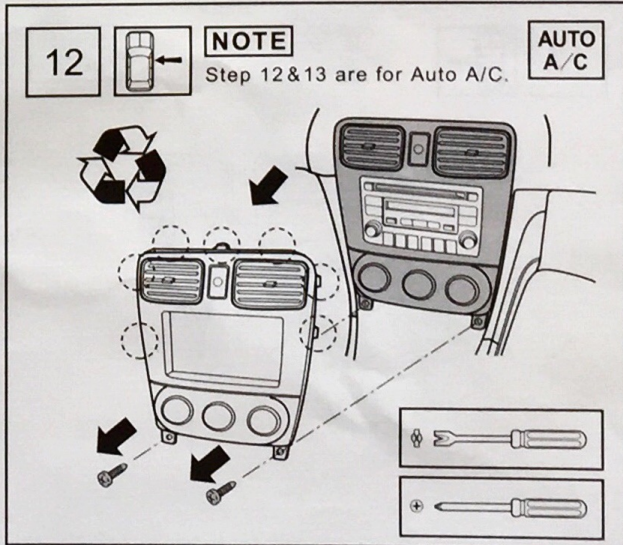
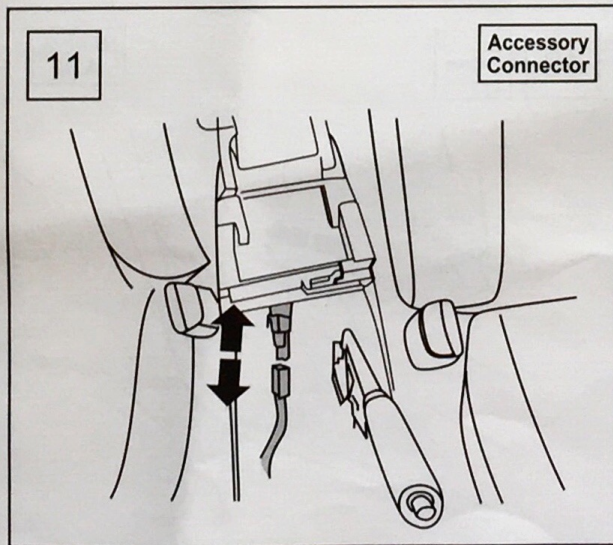
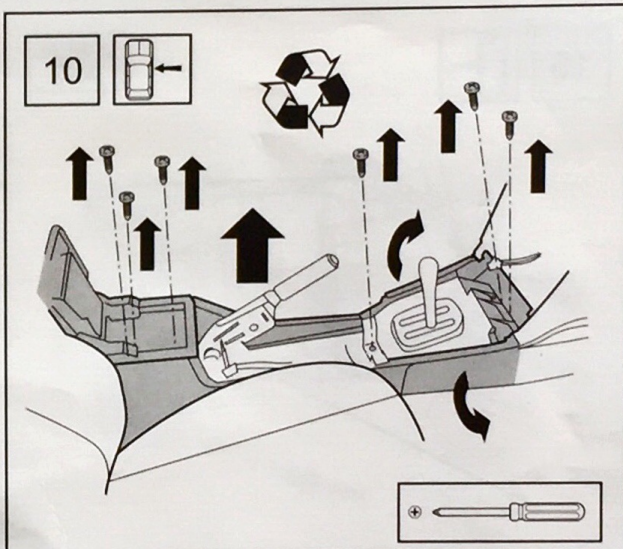
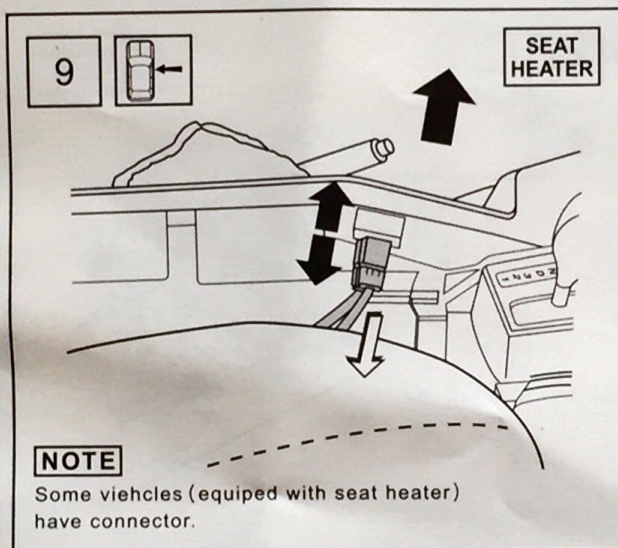
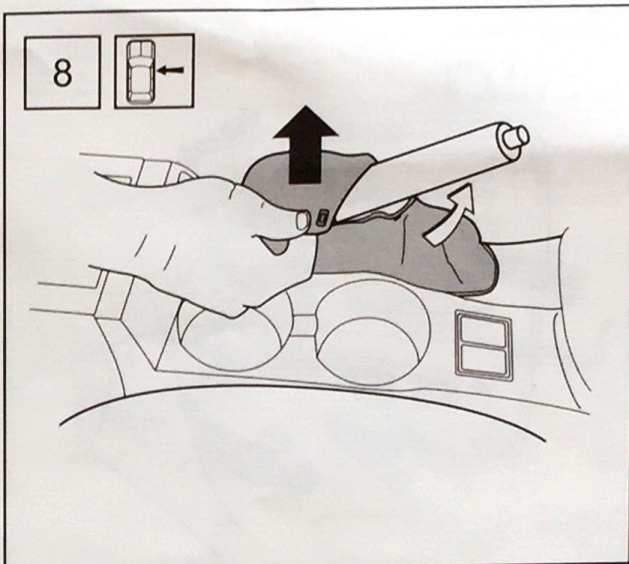
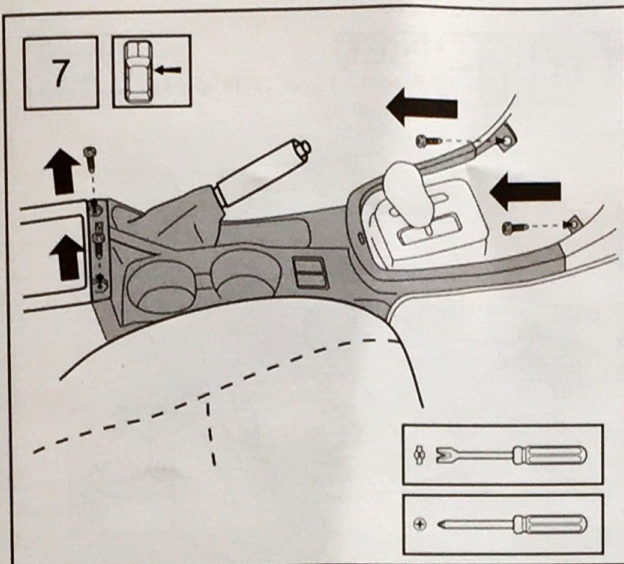


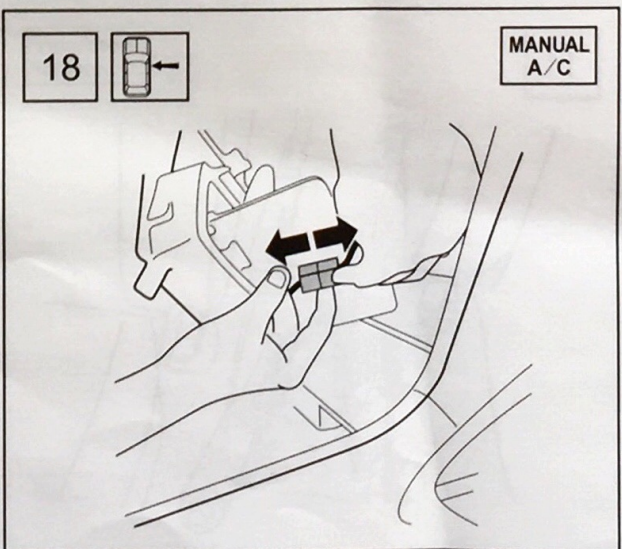
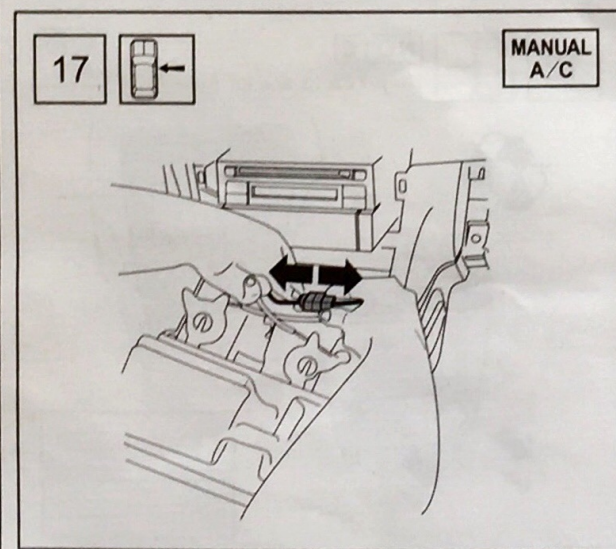
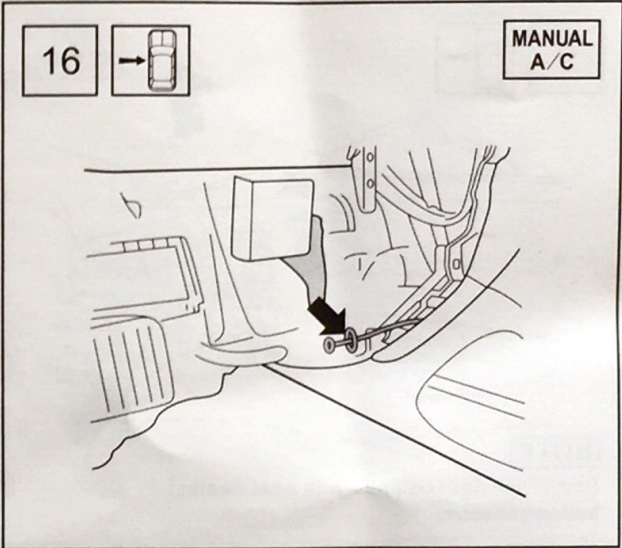
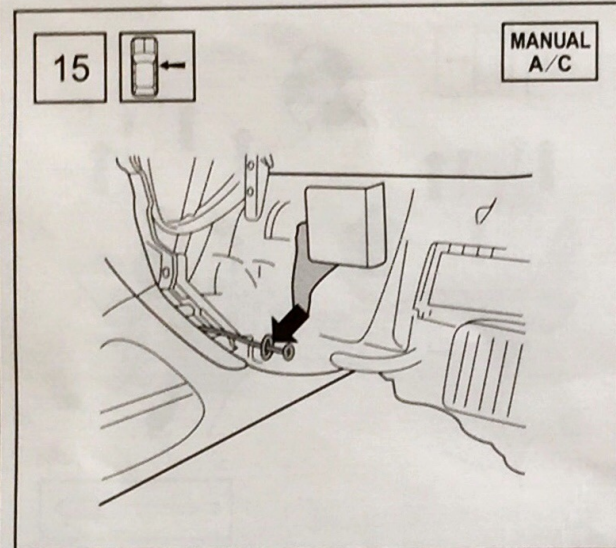
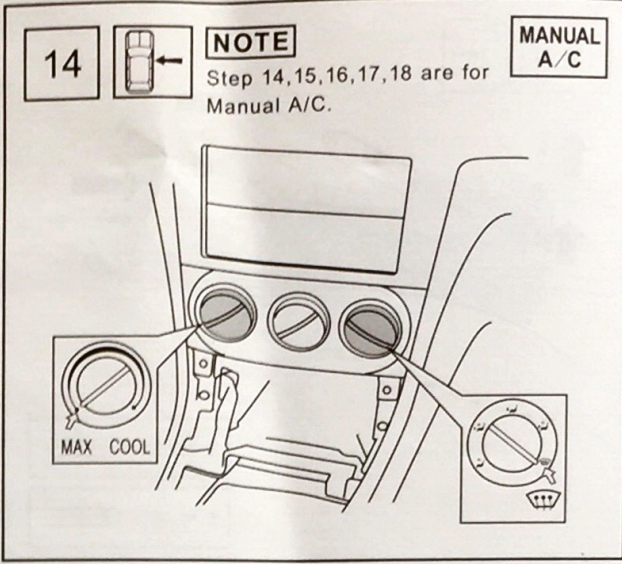
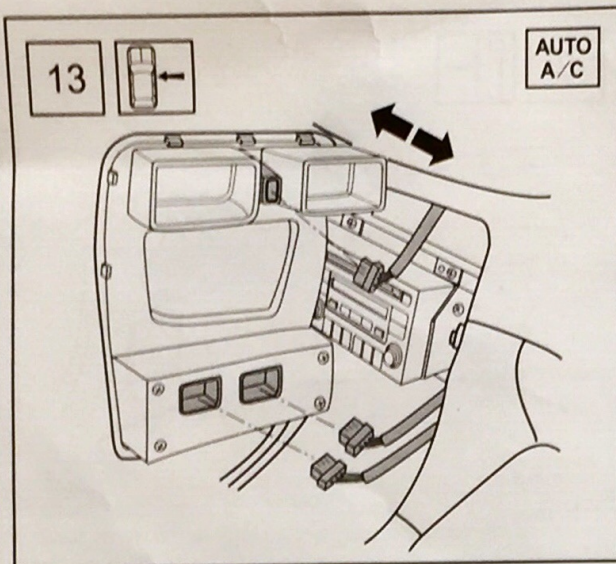
NOTE

Check the ignition switch off.

10mm



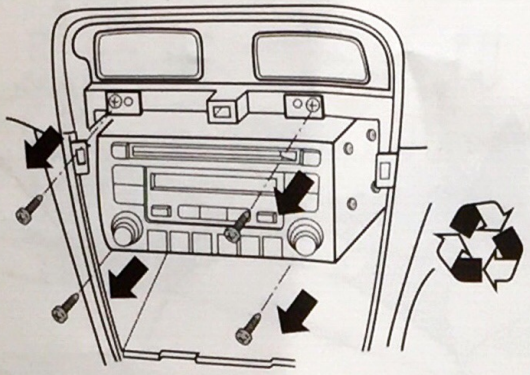




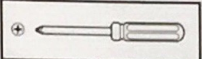
19



2DIN



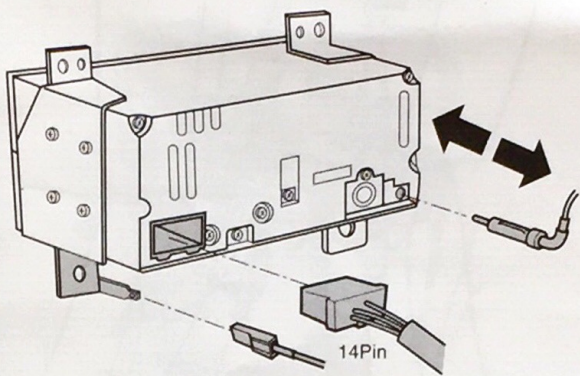
Step 19 and 20 are for 2DIN AUDIO.



20



2DIN

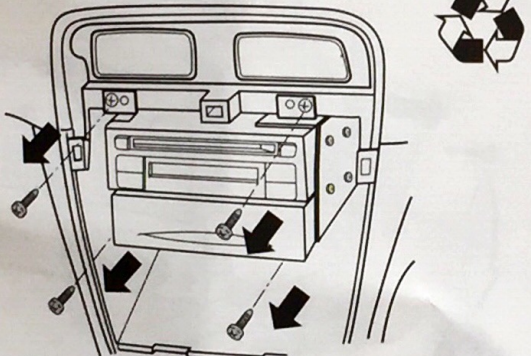


14Pin

21

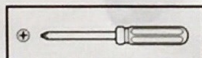


1DIN



NOTE

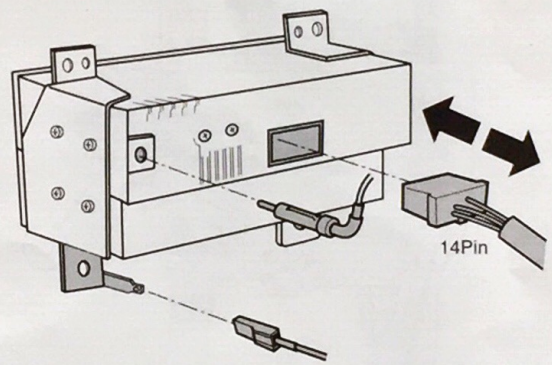
Step 21 and 22 are for 1DIN



22

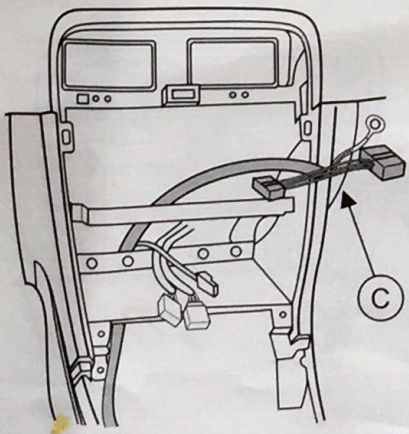


1DIN



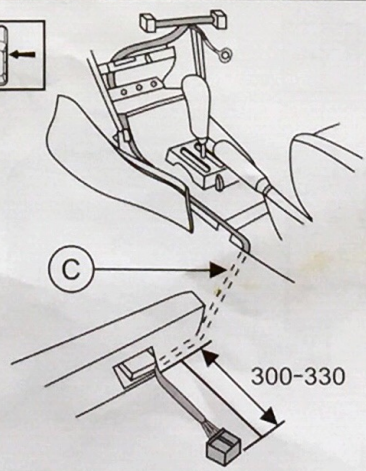
14Pin

23



C

24



C

300-330

Route subwoofer harness under floor carpet starting at the center console and out the floor vent hole.

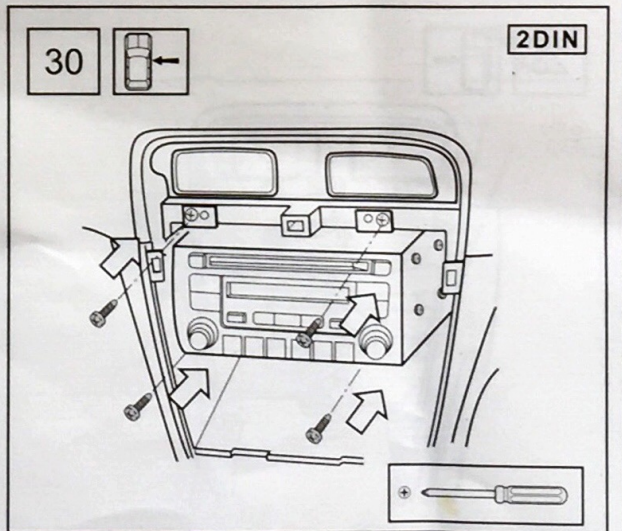
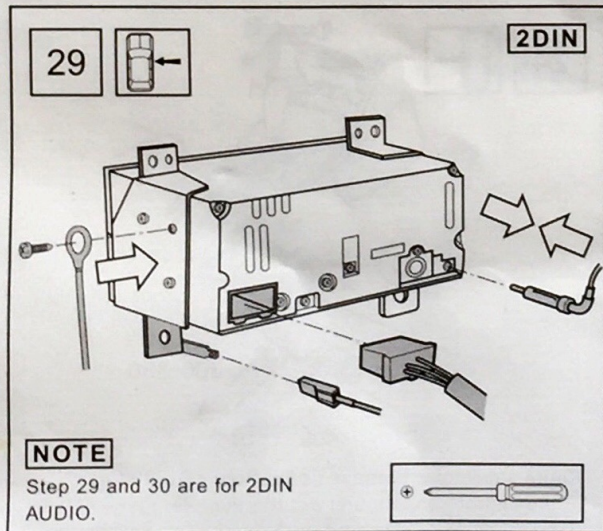
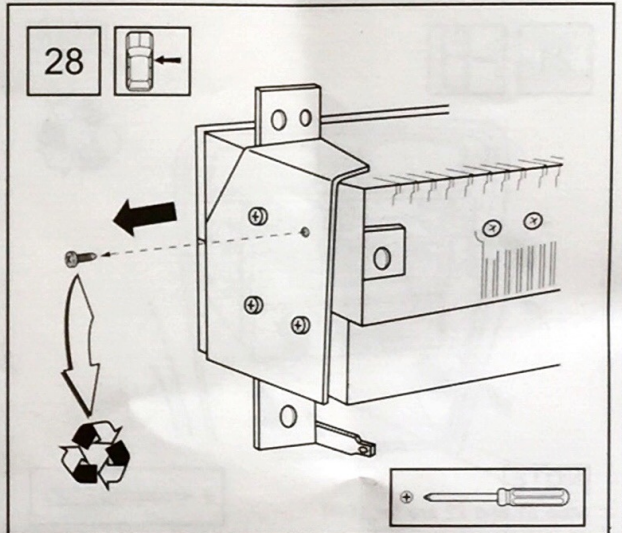
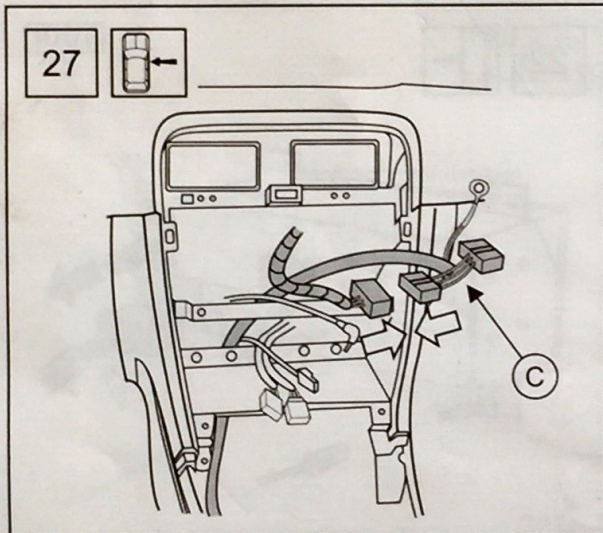
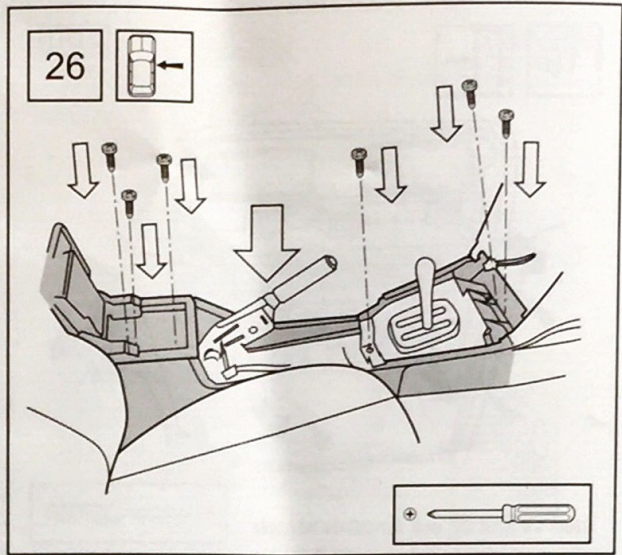
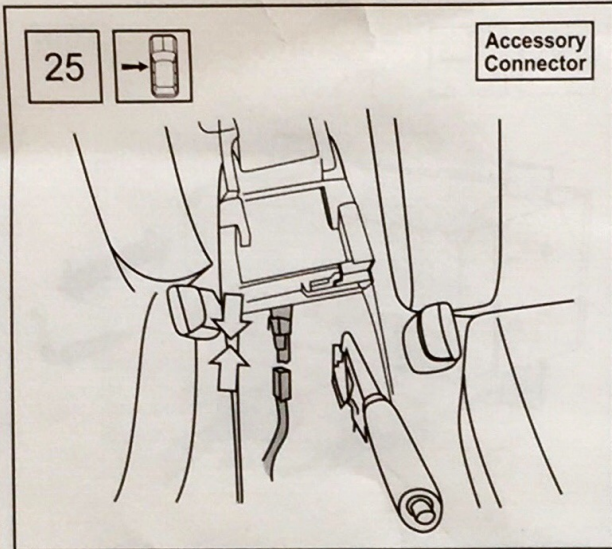
PART NUMBER
H630SSA300
H630SSA400

ISSUE
00

DATE
06/01/23

SUBARU OF AMERICA

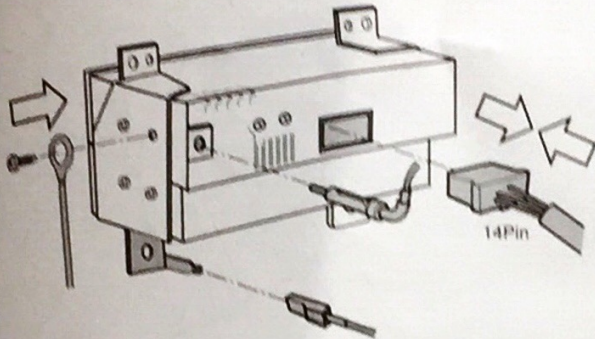
PAGE
5/10



31

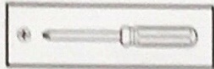


1DIN



NOTE

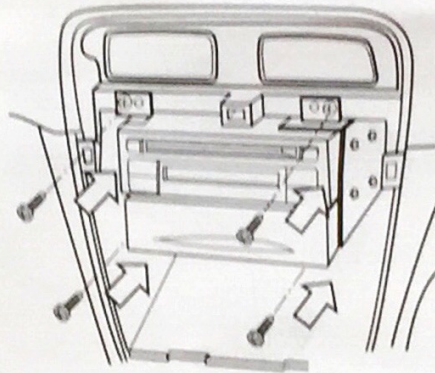
Step 31 and 32 are for 1DIN AUDIO.



32



1DIN



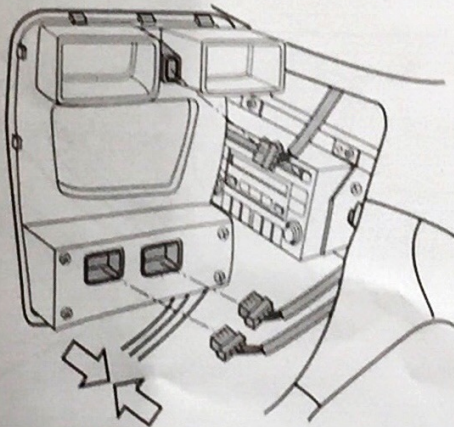
33



NOTE

Step 33 and 34 are for Auto A/C.

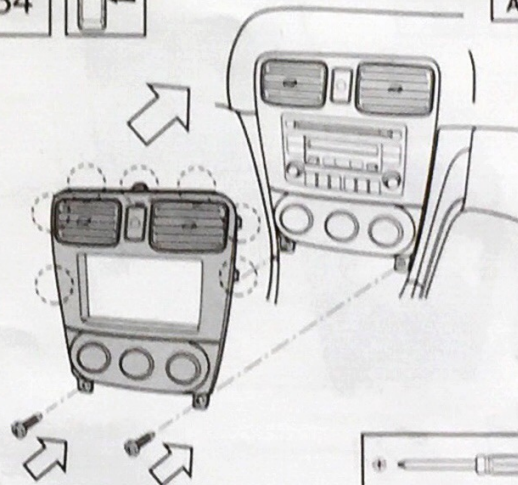
AUTO A/C



34



AUTO A/C



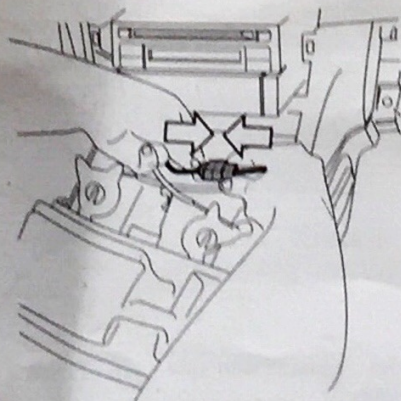
35



NOTE

Step 35, 36, 37, 38, 39, 40 & 41 are for Manual A/C.

MANUAL A/C

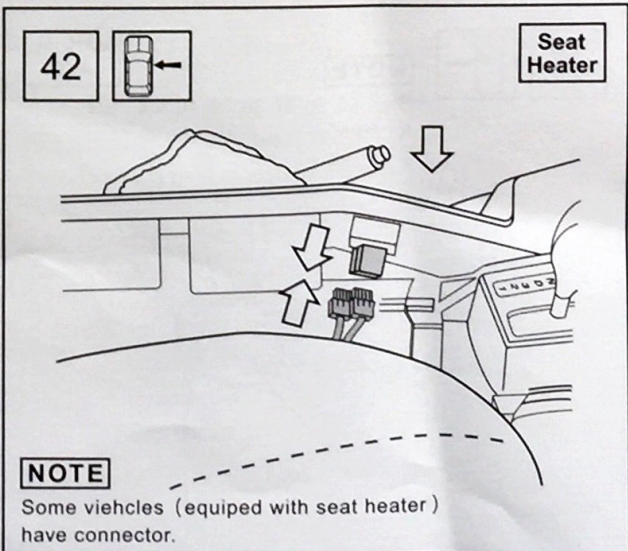
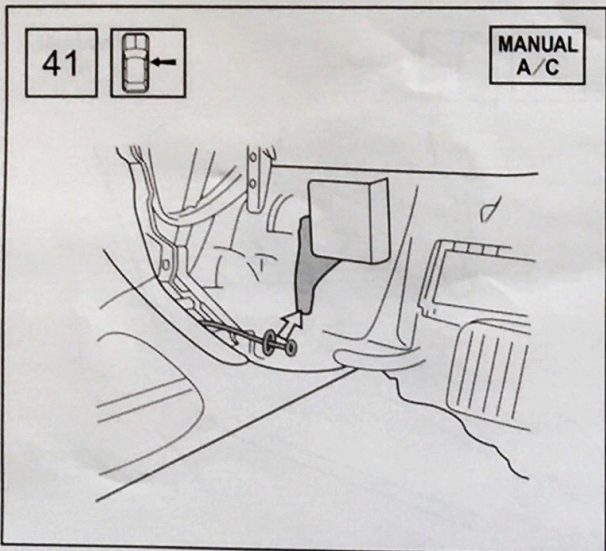
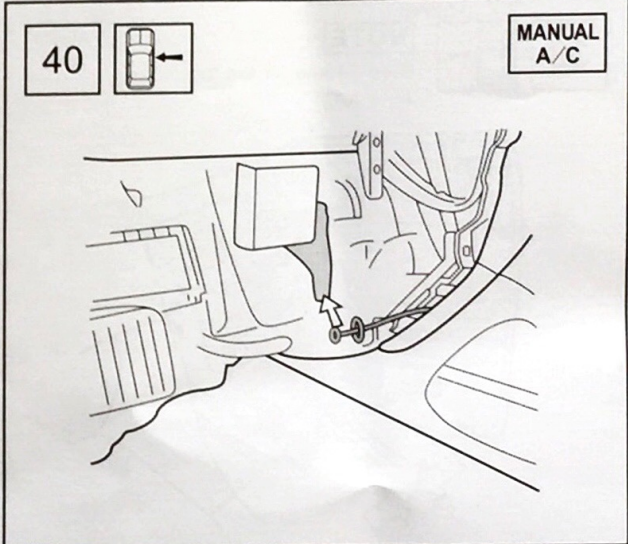
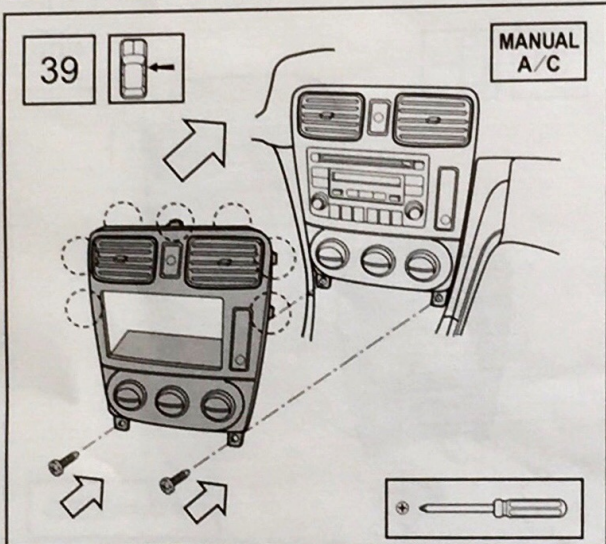
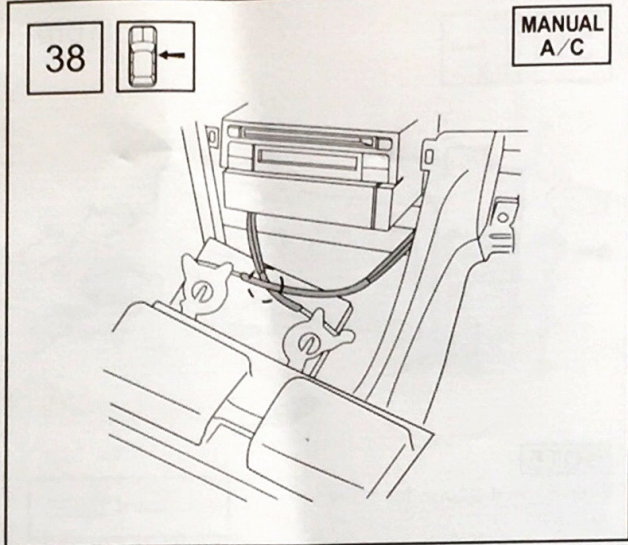
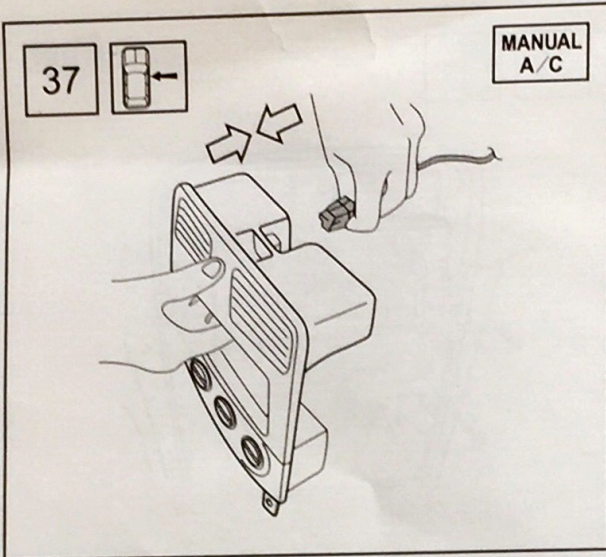


36

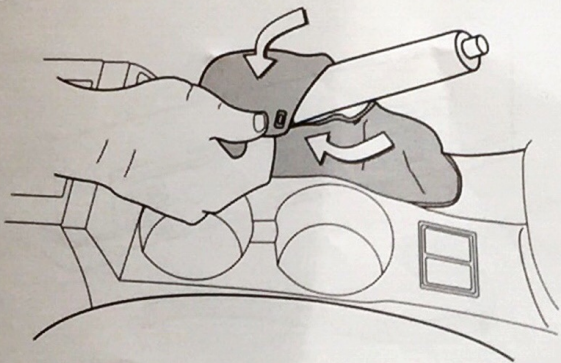


MANUAL A/C

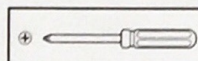
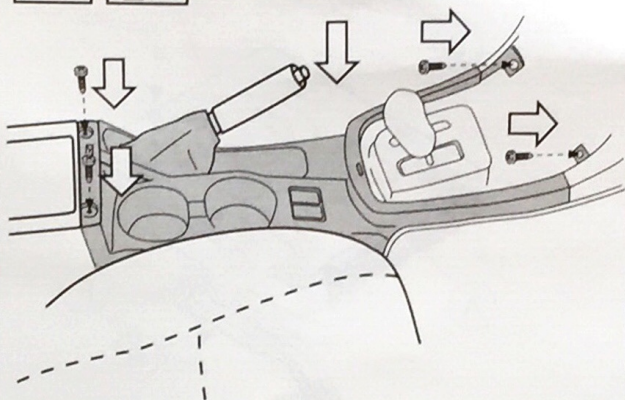




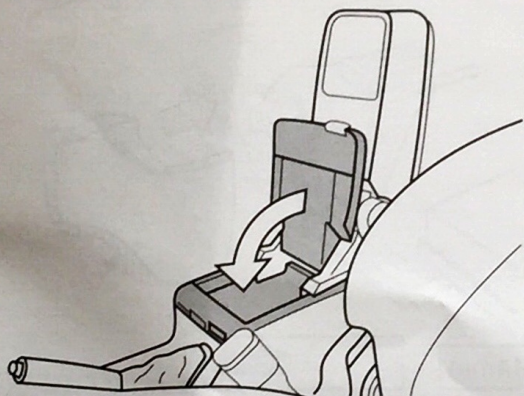
43



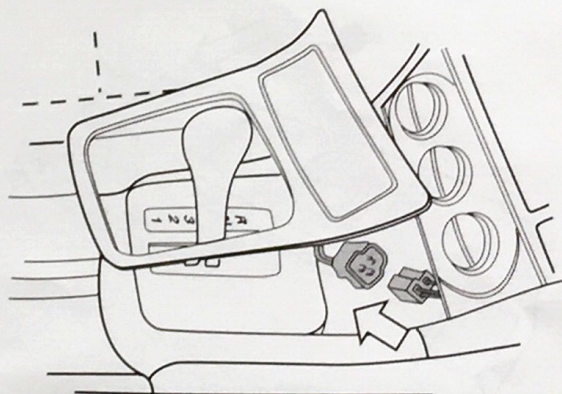
44



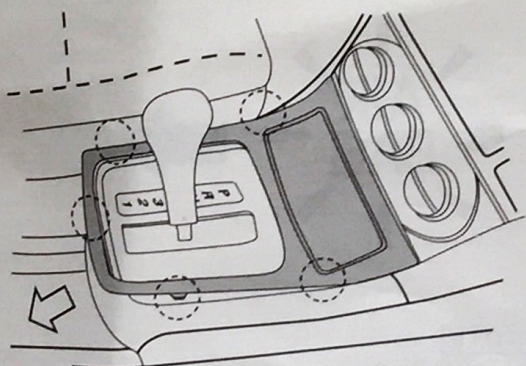
45



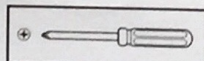
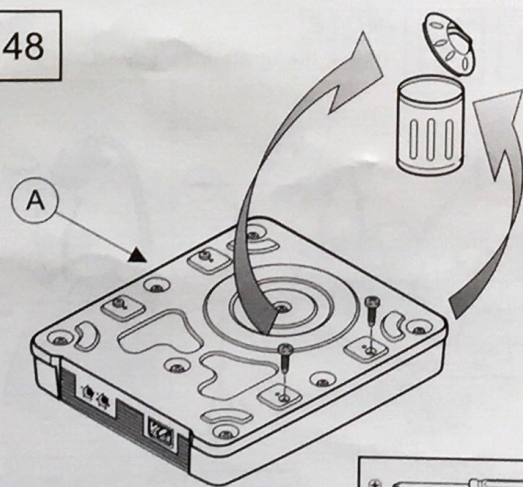
46



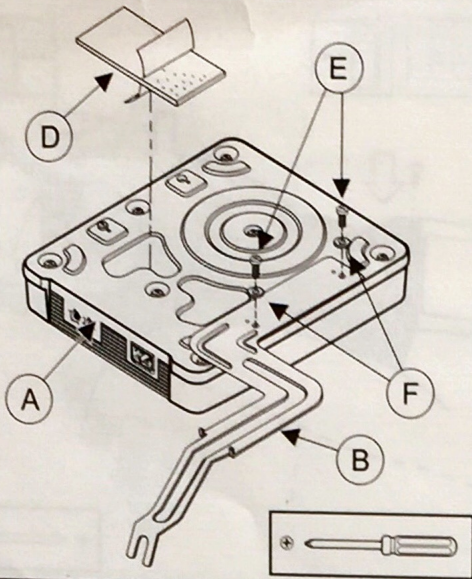
47



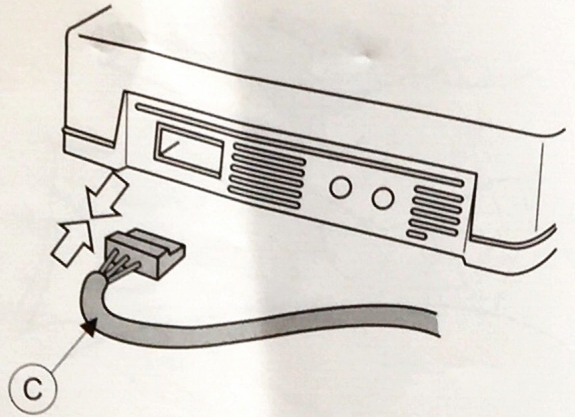
48



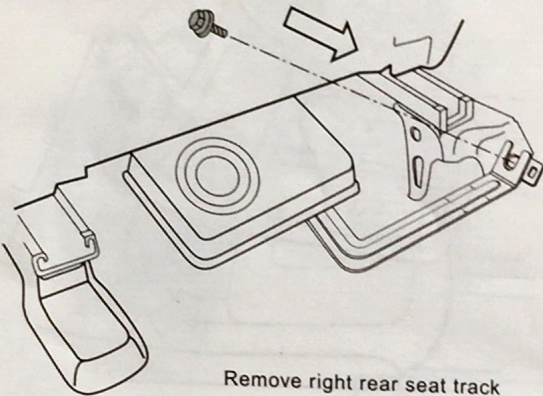
49



50



51

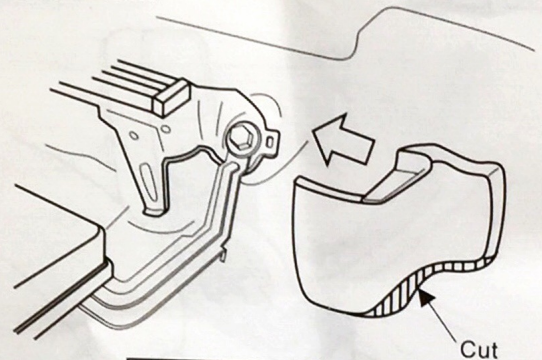


Remove right rear seat track bolt and reinstall over bracket.

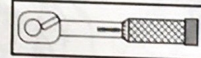
52



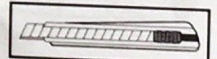
Tighten seat bolt to specified torque.



14mm



To 38 ± 7 ft. -lb. 52 ± 10 Nm.

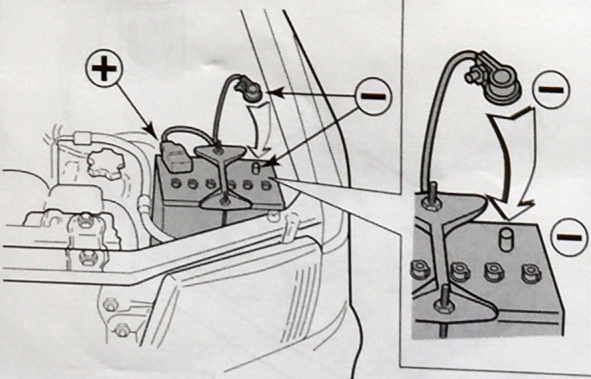


53

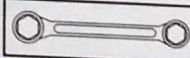


NOTE

Check the ignition switch off.



10mm



54



NOTE

Turn on ignition switch and verify that AIR BAG light goes from on to off.